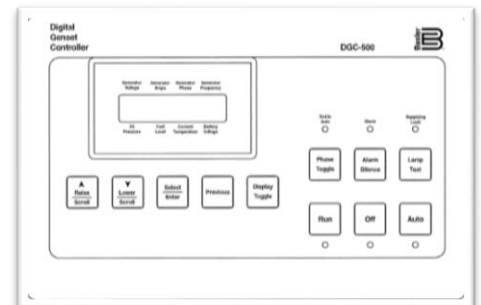


1. Unpack the monitor, antenna and the data/power cable. The 25 pin connector plugs onto the front of the OmniMetrix® monitor. This cable includes wires to power the monitor as well as wires for alarm inputs, relay outputs and analog inputs. Take a moment to inspect all components to verify there is no shipping damage.
2. Place the antenna on the roof of the generator and route the antenna cable into the area of the generator control. The antenna used for transmitting must be installed to provide a separation distance of at least 20 cm from all persons and must not transmit simultaneously with any other antenna transmitters. BE SURE to provide a drip loop lower than the monitor to keep water from running down the antenna cable into the monitor connection.
3. Attach the monitor via its magnetic feet, on top of the engine controller or other appropriate location. Horizontal surfaces are best, but the unit may be mounted vertically or even upside down if necessary. *Note: If mounted vertically, install the monitor with the cables down to prevent water from entering the enclosure.*
4. Route the data/power cable into the generator control enclosure.
5. The monitor wires to the Basler terminal board using the wiring definitions as shown in Table 1 (next page).
6. Attach the antenna cable to the front of the monitor, and tighten thumb tight.
7. Turn on the monitor and confirm that the LEDs light up and blink. If not, check for power on the terminal strip. If, after 5 minutes, the only LED lit is the Power LED, check the antenna mount and cable connection.
8. Allow 15 minutes for the monitor to log into the network and then call OmniMetrix at 770-209-0012 to confirm installation. Access to machine data is through the OmniView® web interface at www.omnimetrix.net. Contact OmniMetrix for login instructions and web training.



Data/Power Cable

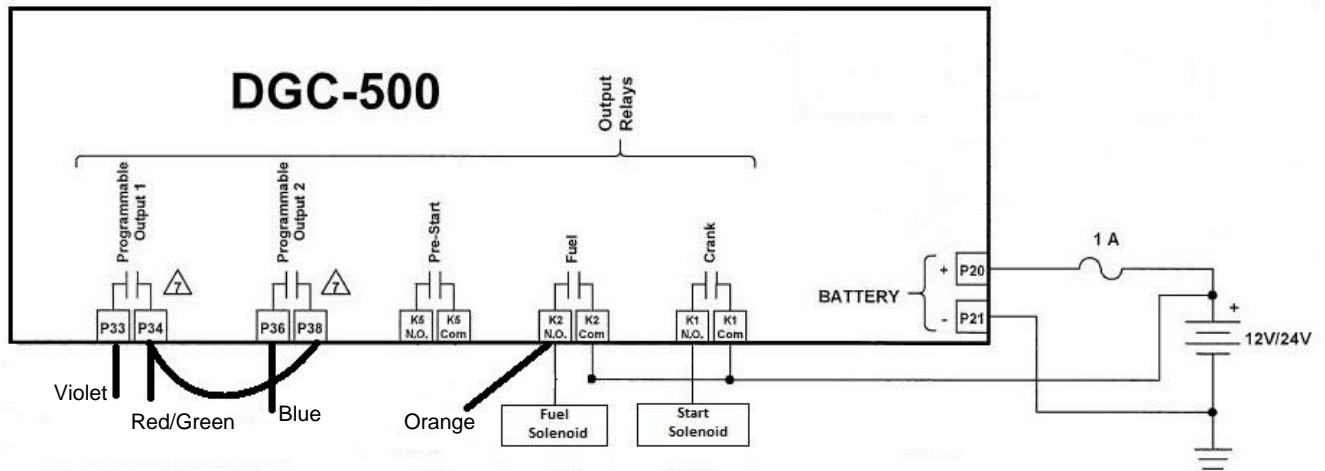


DGC500 Controller

Basler DGC500 Wiring Installation		
OMN Wire	Function	Connection Point
Red	Gen Battery +	Termination P20
Black	Gen Battery GND	Termination P21
Orange	Engine Running	Fuel Relay
Violet	EPS Supplying Load	Programmable Output #1
Blue	Common Alarm	Programmable Output #2
Red/Green	Ground	Daisy Chained 34/38

Table 1 – Basler DGC500 Wiring Table

If 2-wire remote start is desired, use OmniMetrix White/Yellow and White/Brown wires across the 2-wire start terminals.



If you have any questions, please call OmniMetrix Tech Support at 770-209-0012 or email at techsupport@omnimetrix.net.