

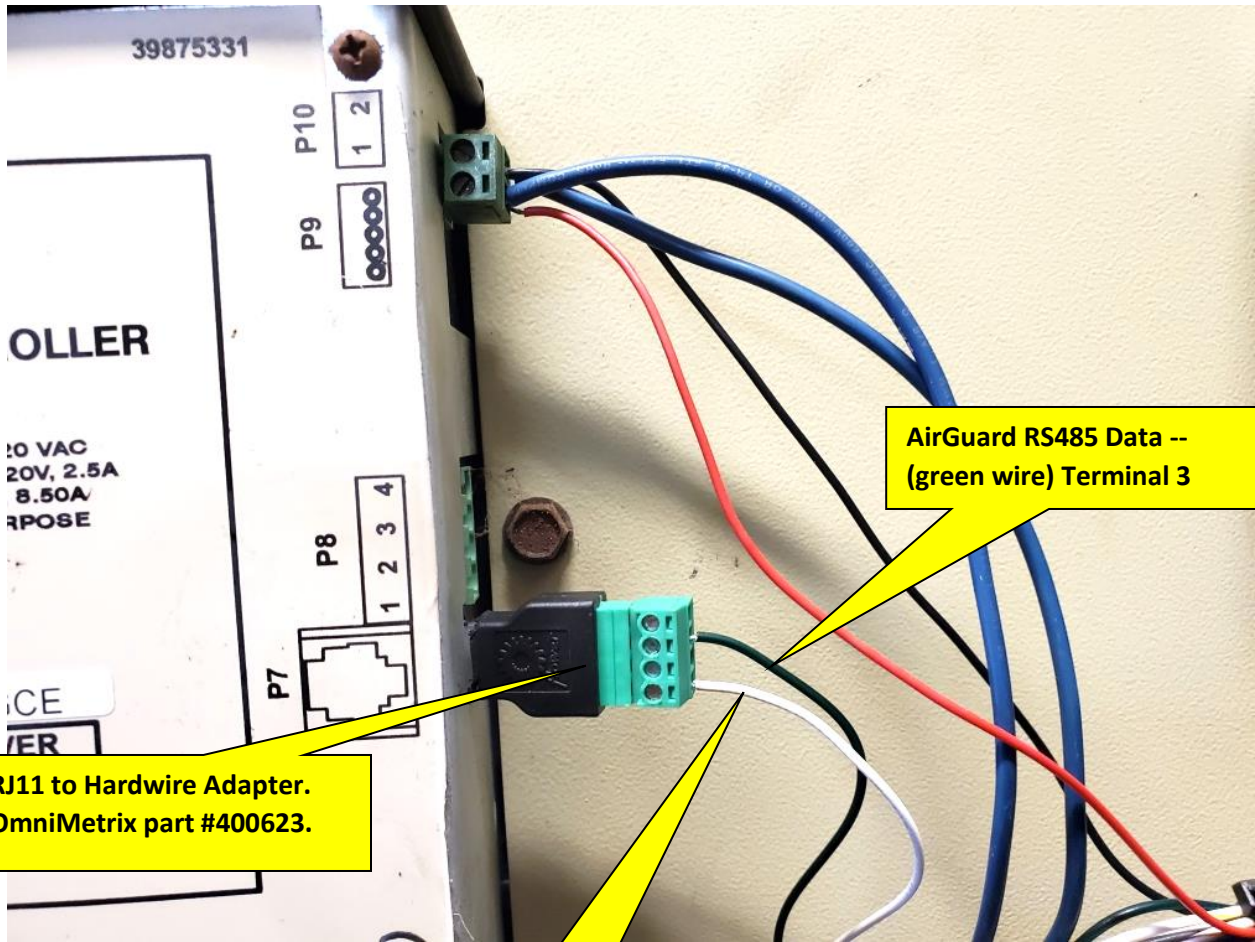
AIRGuard™ is for use with 12vdc power source only.

1. Unpack the monitor and antenna. The integrated cable includes wires to power the monitor as well as wires for data inputs. Take a moment to inspect all components to verify there is no shipping damage.
2. Locate the antenna on a vertical surface (magnetic mount), providing a separation distance of at least 20 cm from all persons and must not transmit simultaneously with any other antenna transmitters. Route the antenna cable to the OmniMetrix **AIRGuard™** monitor (typically the area of the compressor controller. For outdoor applications, be sure to provide a **drip loop** lower than the **AIRGuard™** monitor to keep water from running down the antenna cable into the monitor connection.
3. Attach the monitor, via its magnetic feet, on top of the compressor controller or other appropriate location. Horizontal surfaces are best, but the unit may be mounted vertically or even upside down if necessary. *Note: for outdoor applications and if mounted vertically, install the monitor with the cables down to prevent water from entering the enclosure.*
4. Route the integrated data/power cable into the compressor control enclosure.
5. The monitor wires are connected to the compressor controller using the wiring definitions as shown in Table 1 (below). Using either of the two terminal connectors provided in OmniMetrix Kit #140919, connect the green and white data wires into Comm Port 2 on the controller (see picture on Page 2).
6. Attach the antenna cable to the front of the monitor and tighten thumb tight.



Allow 15 minutes for the monitor to log into the network and then call OmniMetrix at 770-209-0012 to confirm installation. Access to machine data is through the OmniView® web interface at www.omnimetrix.net. Contact OmniMetrix for login instructions and web training

AIRGuard™ Monitor Wiring Table 1	
AIRGuard Wire	Function
Red	+12vdc Power Source
Black	Ground
Orange	No connection
Blue	No connection
Violet	No connection
Gray	No connection
White	RS485 Data +
Green	RS485 Data -



RJ11 to Hardwire Adapter.
OmniMetrix part #400623.

AirGuard RS485 Data --
(green wire) Terminal 3

AirGuard RS485 Data +
(white wire) Terminal 1