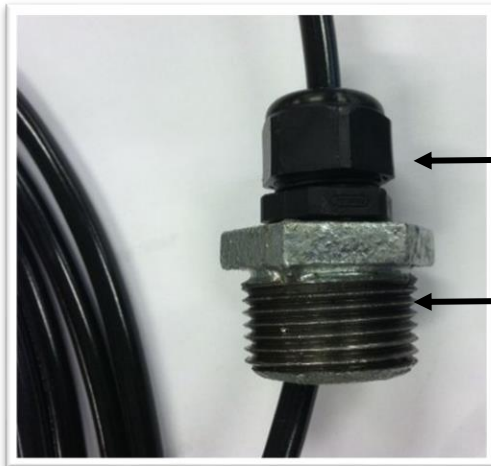


1. Install the fuel sensor.

- a. Insert the sensor end of the cable into the fuel tank bung hole.
- b. Let the sensor drop to the bottom of the tank, keeping the open end of the cable out of the tank.
- c. Slide the pipe fitting(s) over the sensor cable and install in the tank.
- d. Slide the cord grip over the cable and install it into the pipe fitting and tighten it around the cable. Be sure the O-ring supplied with the cord grip is installed between the cord grip and the pipe fitting.
- e. DO NOT allow fuel to enter the open end of the cable.



Sensor Cable



← Cord Grip (½" MNPT)

← MNPT to ½" FNPT Pipe Adapter(s)

Cord Grip: Compact Liquid-Tight Cord Grip, Straight, for 0.2" – 0.35" Cord Diameter, ½ Trade Size, McMaster-Carr 69915K54 or equivalent.

Pipe Adapter(s):

MNPT	FNPT	McMaster-Carr P/N	
1	½	4638K548	For 1" tank bung
1 ¼	½	4638K724	For 1 ¼" tank bung
1 ½	1	4638K727	For 1 ½" tank bung (use with 1 x ½" adapter)
2	1	4638K728	For 2" tank bung (use with 1 x ½" adapter)

2. Instructions for connecting sensor to the OmniMetrix TrueGuard Pro:

The BD 18.605G sensor is appropriate for use to a depth of about 10 feet, and its output is nominally 1 Vdc / foot depth. For installations where the tank depth is greater than 5 feet, it must be wired to the OMNI Analog Input 1. For installation depths less than 5 feet, wiring to the OMNI 4-20 ma / 0 – 5 V input will provide greater measurement precision.

3. Wiring for **Depths > 5 feet**, using Analog Input #1 : (Using OMNI White / Blue Wire)

Connect the unit to the OmniMetrix® monitor using the table below. Power the device through the inline fuse provided.

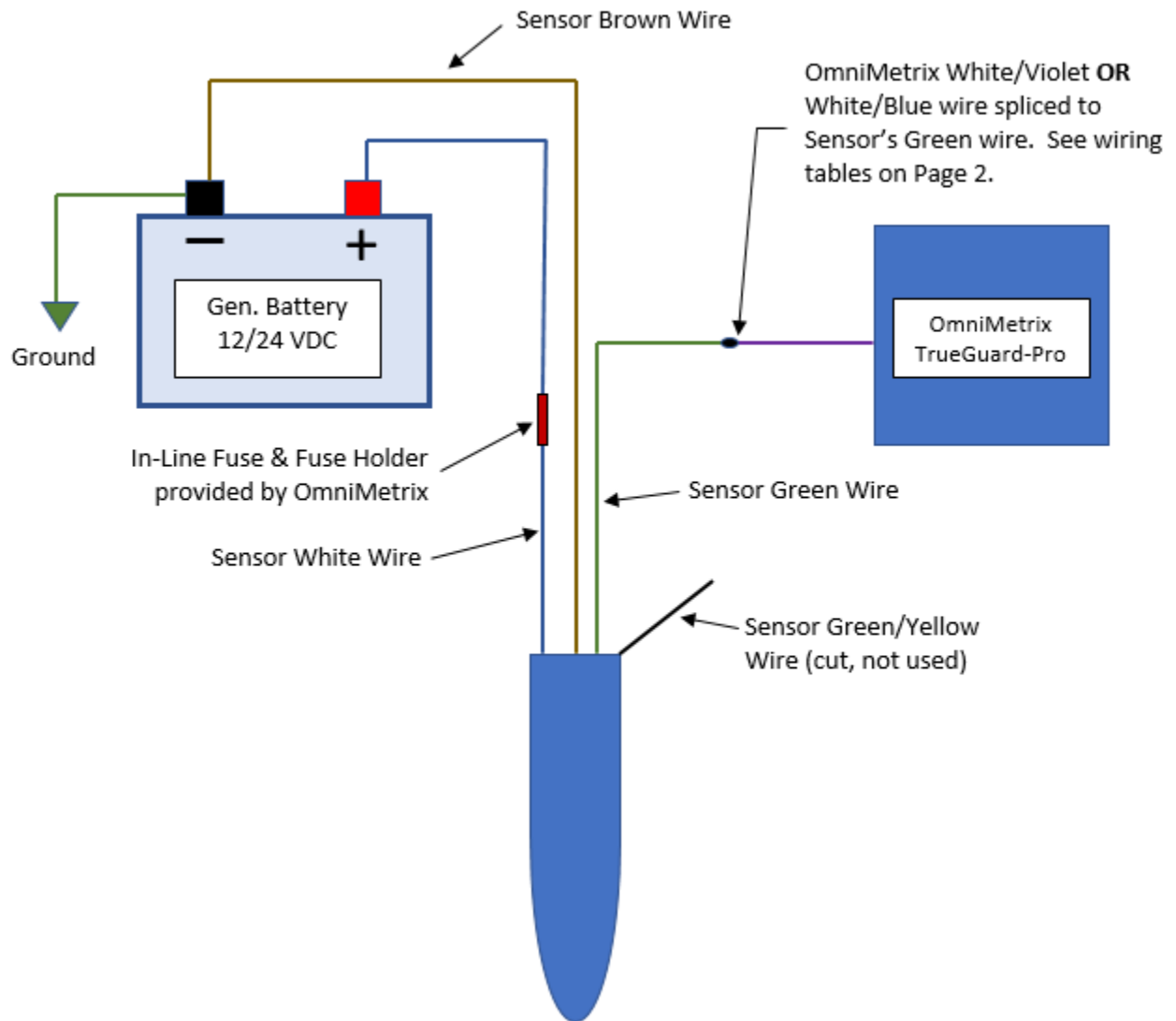
BD 18.605G Submersible Fuel Sensor Wiring Installation to Analog Input #1	
Fuel Sensor Wire	Connect to
White	+12-30VDC Supply (Battery +, Fused)
Brown	DC GND / Battery -
Green Wire	OMNI White/Blue monitor wire (see note)
Green/Yellow Shield Wire & Vent Tube	No Connection

4. Wiring for **Depths < 5 feet**, using 0 – 5v Input : (Using OMNI White / Violet Wire)

MCT/RAM 18.605G Submersible Fuel Sensor Wiring Installation to 0-5 V Input	
Fuel Sensor Wire	Connect to
White	+12-30VDC Supply (Battery +, Fused)
Brown	DC GND / Battery -
Green Wire	OMNI White/Violet monitor wire (see note)
Green/Yellow Shield Wire & Vent Tube	No Connection

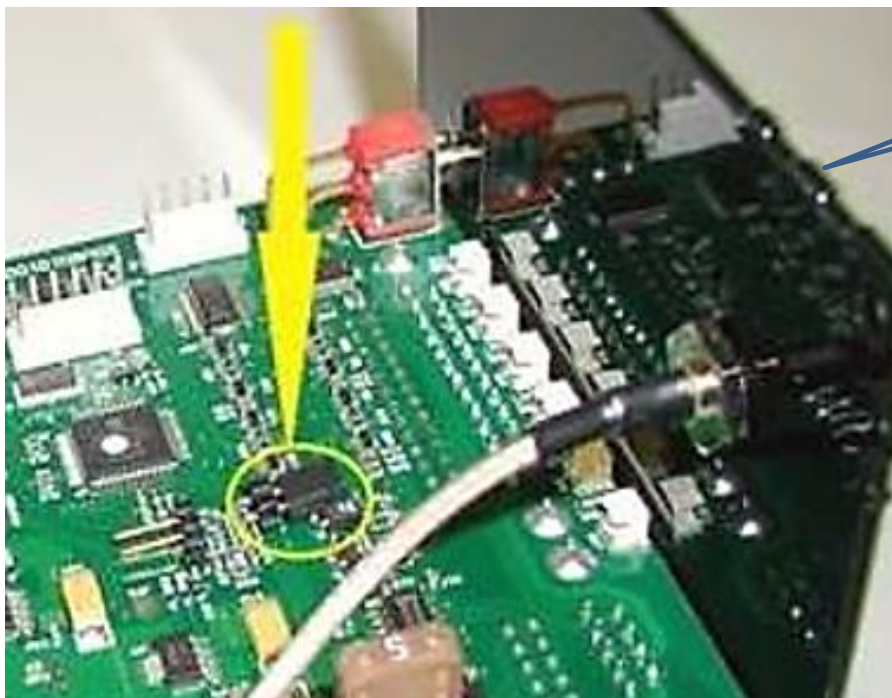
Note: the second analog input is configurable for 4-20 mA input or 0-5v input. The OMNI unit should be preconfigured for the 0-5v condition if the fuel sender was ordered with the TG Pro. If in doubt, or in conjunction with OMNI Tech Support, check the position of the 4-20 / 0-5v jumper as shown below on the last page of this document.

5. Wiring Diagram:



6. Checking the 0 – 5 V Analog Input Jumper:

Remove the four Philips head screws from the front of the OMNI unit and slide the front panel and circuit board outward half-way. The small, black jumper device should be installed onto the two pins shown. If it is hanging on one pin, the controller circuit board is in the 0-5 volt analog mode. Shifting it to connect the two forward pins, as shown, operates the optional 4-20ma mode.



Front Face Plate
of monitor.