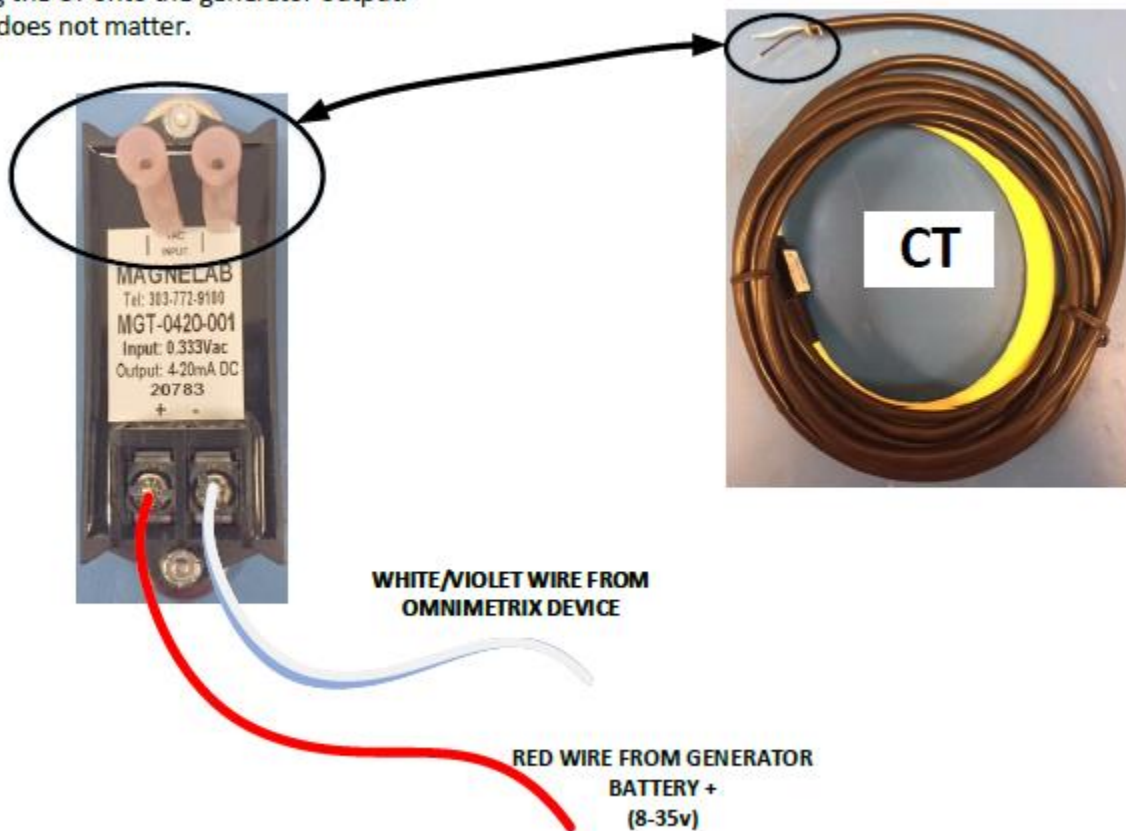


NOTE: the current sensing kit includes two, Faston brand, insulated crimp terminals to secure the electrical connections from the current transformer (CT) to the current transducer, as illustrated below.

The transducer is powered by a 8-35 VDC power source, as illustrated on Page 2.

NOTE: Please contact OmniMetrix Tech Support to assist in final testing of current sensing hardware: 770-209-0012.

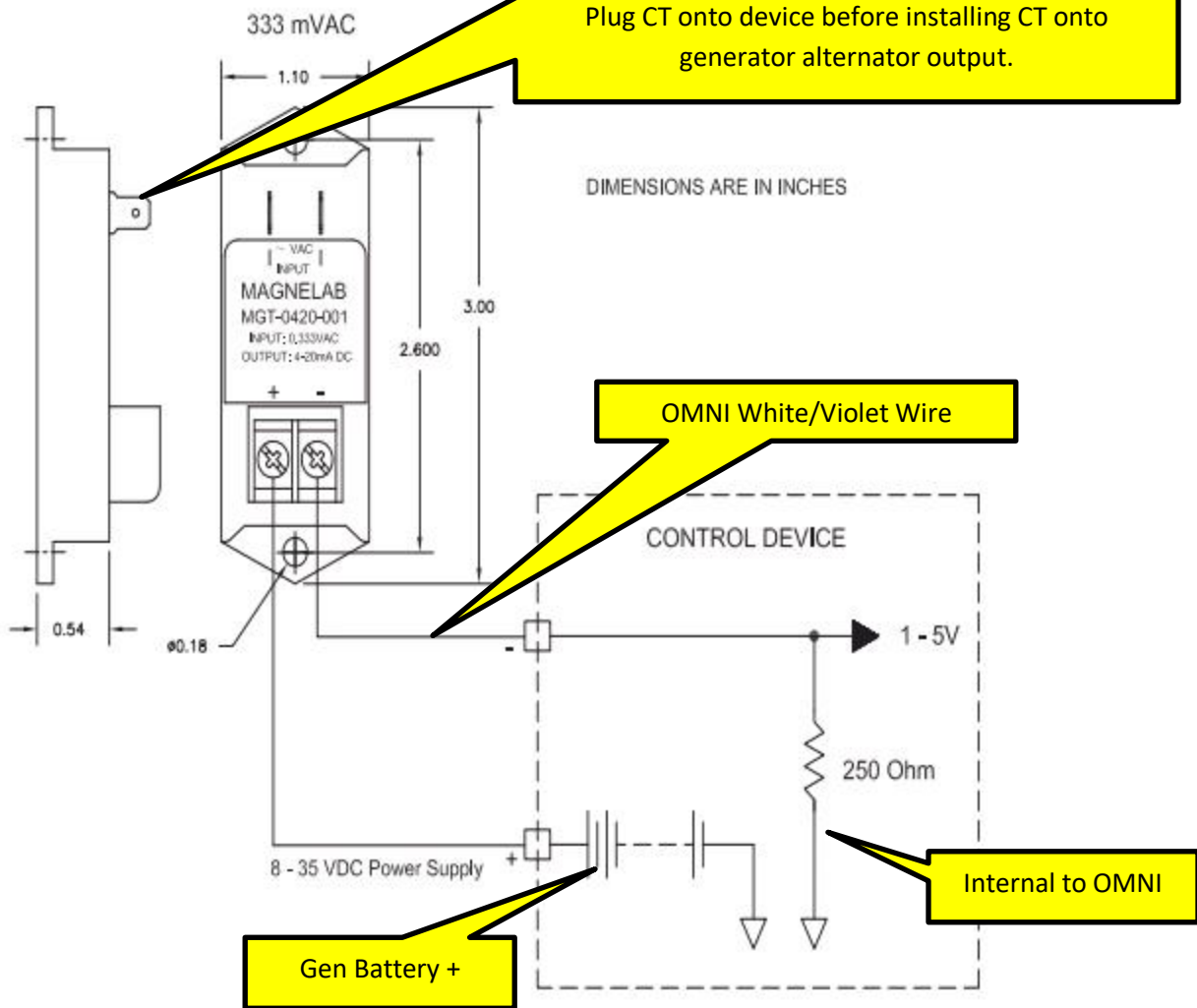
1. Crimp White and Black wires from the CT onto these terminals.
2. Plug the terminals onto this device **before** installing the CT onto the generator output. Polarity does not matter.



MAGNELAB

Loop Powered Device
MGT-0420-001
Universal 4-20mA True RMS Signal Transducer

CT plugs onto these Faston terminals.
No polarity for this AC signal
Plug CT onto device before installing CT onto generator alternator output.



CE RoHS2 ISO 9001:2008